

## LULLABY SUSPENSION

### A300677-

base number    LED    Color    Finish    Cable  
 Dimming    Temperature    Options    Length

- To build a product code in our configurator select the specify button on the base model # product page
- To build a manual product code on this datasheet choose from the options listed below in blue font and add the suffix to the base model #

#### GENERAL

Series: Lullaby  
 Brand: Prolicht  
 Division: Architectural  
 Mounting Type: Suspension  
 Mounting Location: Ceiling  
 Subcategory: Acoustic

#### PHYSICAL

Shape: Rectangle  
 Length (mm): 1250  
 Length (in): 49 <sup>3</sup>/<sub>16</sub>  
 Width (mm): 50  
 Width (in): 1 <sup>15</sup>/<sub>16</sub>  
 Height (mm): 450  
 Height (in): 17 <sup>11</sup>/<sub>16</sub>  
 Light Distribution: Direct  
 Fixture Finish: [ANC / ASH / BNA / BTC / BZE / CEL / EGG / EVG / FOG / FOS / FST / FUA / IRI / IRO / KHA / LIC / LIM / MER / MSN / MUS / ONX / PEA / PLU / POL / PPY / RAY / ROY / RST / STE / SWD / TAN / TAU](#)  
 Fixture Material: Aluminum  
 Cable Details: 2,000mm / 6,000mm Transparent Cable

#### ELECTRICAL

Lamp Type: LED  
 Input Wattage (W): 26  
 Total Output Wattage (W): 23.7  
 Dimming: [Non-Dimmable / 0-10V Dimming](#)  
 Driver Included: Yes  
 Driver Location: Integrated  
 Driver Type: Constant Current - Universal  
 Driver Class: Class 2  
 Input Voltage (V): 120 - 277

#### LED

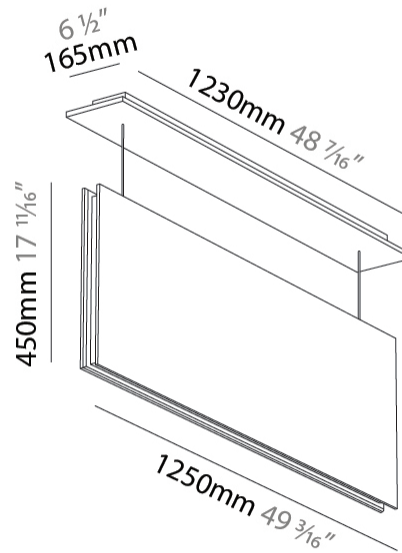
Color Temperature (°K): [2700 / 3000 / 3500 / 4000](#)  
 Max. Delivered Lumen (lm): [3432 / 3482 / 3515 / 3582](#)  
 Nominal Lumen (lm): [4100 / 4160 / 4200 / 4280](#)  
 CRI: >90 CRI  
 Lamp Life (hrs): 80000

#### OPTICAL

Beam Angle: 80

#### RATINGS AND CERTIFICATIONS

Certified By: Certified for North American Standards  
 IP rating: IP20



A300677-

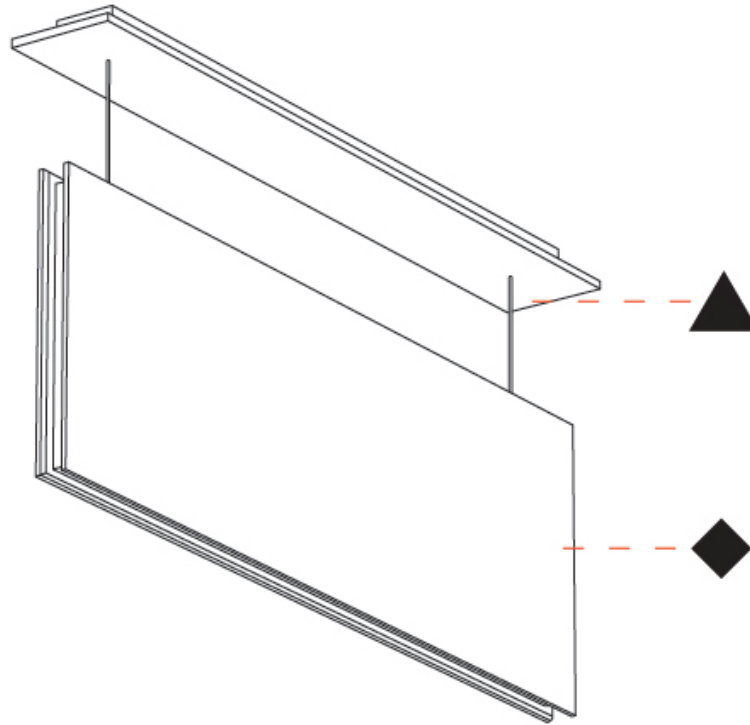
PROJECT

TYPE

SPECIFIER

QUANTITY

DATE



A

PROJECT	
TYPE	
SPECIFIER	
QUANTITY	
DATE	

## LULLABY SUSPENSION

### A300694-

base number	LED Dimming	Color Temperature	Finish Options	Cable Length
-------------	-------------	-------------------	----------------	--------------

- To build a product code in our configurator select the specify button on the base model # product page
- To build a manual product code on this datasheet choose from the options listed below in blue font and add the suffix to the base model #

#### GENERAL

Series: Lullaby
Brand: Prolicht
Division: Architectural
Mounting Type: Suspension
Mounting Location: Ceiling
Subcategory: Acoustic

#### PHYSICAL

Shape: Rectangle
Length (mm): 1250
Length (in): 49 <sup>3</sup> / <sub>16</sub>
Width (mm): 50
Width (in): 1 <sup>15</sup> / <sub>16</sub>
Height (mm): 850
Height (in): 33 <sup>7</sup> / <sub>16</sub>
Light Distribution: Direct
Fixture Finish: <a href="#">ANC</a> / <a href="#">ASH</a> / <a href="#">BNA</a> / <a href="#">BTC</a> / <a href="#">BZE</a> / <a href="#">CEL</a> / <a href="#">EGG</a> / <a href="#">EVG</a> / <a href="#">FOG</a> / <a href="#">FOS</a> / <a href="#">FST</a> / <a href="#">FUA</a> / <a href="#">IRI</a> / <a href="#">IRO</a> / <a href="#">KHA</a> / <a href="#">LIC</a> / <a href="#">LIM</a> / <a href="#">MER</a> / <a href="#">MSN</a> / <a href="#">MUS</a> / <a href="#">ONX</a> / <a href="#">PEA</a> / <a href="#">PLU</a> / <a href="#">POL</a> / <a href="#">PPY</a> / <a href="#">RAY</a> / <a href="#">ROY</a> / <a href="#">RST</a> / <a href="#">STE</a> / <a href="#">SWD</a> / <a href="#">TAN</a> / <a href="#">TAU</a>
Fixture Material: Aluminum
Cable Details: 2,000mm / 6,000mm Transparent Cable

#### ELECTRICAL

Lamp Type: LED
Input Wattage (W): 26
Total Output Wattage (W): 23.7
Dimming: <a href="#">Non-Dimmable</a> / <a href="#">0-10V Dimming</a>
Driver Included: Yes
Driver Location: Integrated
Driver Type: Constant Current - Universal
Driver Class: Class 2
Input Voltage (V): 120 - 277

#### LED

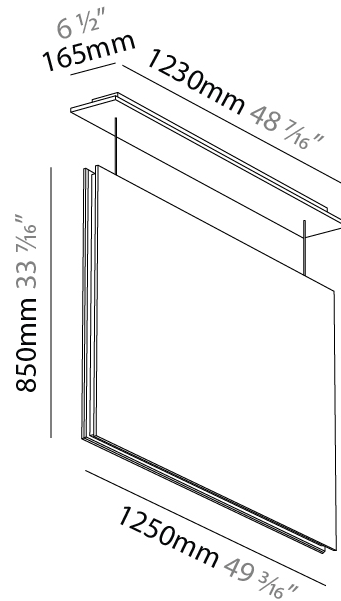
Color Temperature (°K): <a href="#">2700</a> / <a href="#">3000</a> / <a href="#">3500</a> / <a href="#">4000</a>
Max. Delivered Lumen (lm): <a href="#">3432</a> / <a href="#">3482</a> / <a href="#">3515</a> / <a href="#">3582</a>
Nominal Lumen (lm): <a href="#">4100</a> / <a href="#">4160</a> / <a href="#">4200</a> / <a href="#">4280</a>
CRI: <a href="#">&gt;90 CRI</a>
Lamp Life (hrs): <a href="#">80000</a>

#### OPTICAL

Beam Angle: 80
----------------

#### RATINGS AND CERTIFICATIONS

Certified By: Certified for North American Standards
IP rating: IP20



A300694-

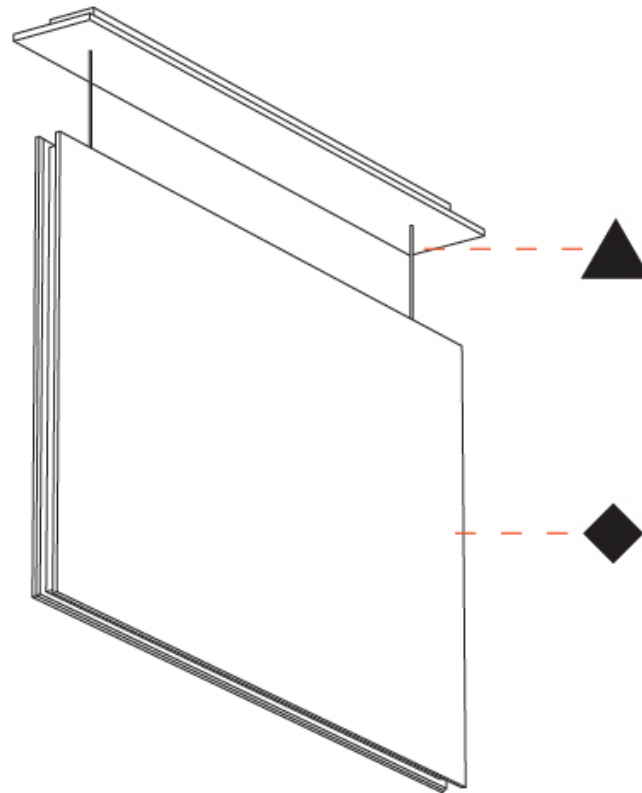
PROJECT

TYPE

SPECIFIER

QUANTITY

DATE



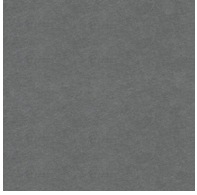
A

## LULLABY COLOR FINISH CHART

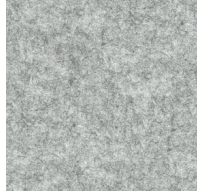
PROJECT \_\_\_\_\_  
 TYPE \_\_\_\_\_  
 SPECIFIER \_\_\_\_\_  
 QUANTITY \_\_\_\_\_  
 DATE \_\_\_\_\_

### Fixture Finish

Anchor - ANC (ANC)



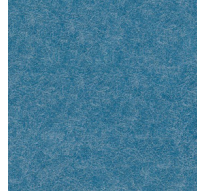
Ash - ASH (ASH)



Ballerina - BNA (BNA)



Baltic - BTC (BTC)



Breeze - BZE (BZE)



Celadon - CEL (CEL)



Eggshell - EGG (EGG)



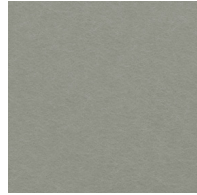
Evergreen - EVG (EVG)



Fog - FOG (FOG)



Fossil - FOS (FOS)



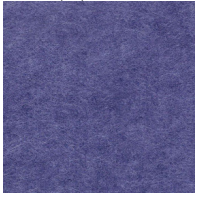
Frost - FST (FST)



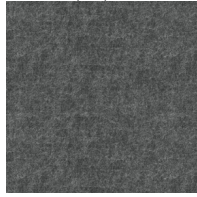
Fuchsia - FUA (FUA)



Iris - IRI (IRI)



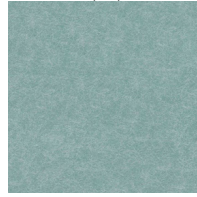
Iron - IRO (IRO)



Khaki - KHA (KHA)



Lichen - LIC (LIC)



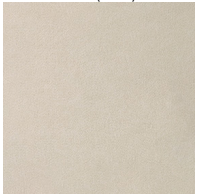
Lime - LIM (LIM)



Merlot - MER (MER)



Muslin - MSN (MSN)



Mustard - MUS (MUS)



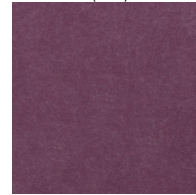
Onyx - ONX (ONX)



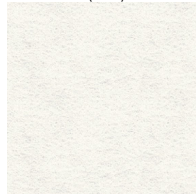
Peach - PEA (PEA)



Plum - PLU (PLU)



Polar - POL (POL)



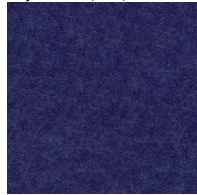
Poppy - PPY (PPY)



Ray - RAY (RAY)



Royal - ROY (ROY)



Rust - RST (RST)



Steel - STE (STE)



Seaweed - SWD (SWD)



Tangerine - TAN (TAN)



Taupe - TAU (TAU)



**Digital:** Not all screens are calibrated the same, and therefore, colors will appear differently between devices.  
**Physical:** When texture is involved, there will be variations in color, character and tone within a product and between product families.

**Gun Metal:** No Gun Metal finish is alike. It combines a mixture of transparent and black color particles to ensure a highly individual effect and no luminaire being identical.  
**Champagne Cream, Copper Mine, Ancient Bronze & Jazz Gold:** These finishes have slight fading from specific powder coating production. Each luminaire will slightly vary.

Available for International specifications by adding 'INT' at the end of the existing Model #. For assistance on 'custom' specifications, contact zteam@zaneen.com.

In a constant effort to supply the best product, we reserve the right to change specifications or materials without notice. The most recent specification sheets are found at zaneen.com

### LEGEND

	floor-mounted		pivotal		special LED (upon request) RGB, RGBW, tunable, gold+, meat+, art+, fashion+
	wall and ceiling: recessed and surface mounted		rotating		warm dim / natural dimming LED
	ceiling-mounted and wall-mounted		illuminate tilted		rechargeable battery powered
	wall-mounted		color of suspension cable		fixture with natural vivid LED (upon request)
	omni-directional light distribution		length of suspension cable		color rendering index
	direct light distribution		reflector degree selection		color temperature
	direct/indirect light distribution		super spot		lumen (luminous flux)
	indirect light distribution		lens		efficacy (lumens per watt)
	asymmetric light distribution		lens pack		Unified Glare Rating (UGR) range from 5-40
	aura light distribution		shine ring		marine grade (AISI 316 stainless steel)
	round wall or ceiling cut-out		integrated shine ring with diffuser		walk on
	square wall or ceiling cut-out		free individual colors 01-29		drive on
	the supplied jig specifies the cutout dimensions		individual colors: 00 (free of charge), 01-25 (extra charge)		Dark Sky Compliance
	minimum distance (meters) lamp - object		luminaire part to be colored (F1)		Americans with Disabilities Act (less than 4" off the wall located between 27"-84" from floor)
	recessed depth		luminaire part to be colored (F2)		lamp protected against explosion
	ceiling thickness in mm		luminaire part to be colored (F3)		blown glass using traditional methods by master glass blower
	ceiling thickness selection		luminaire part to be colored (F4)		acoustic material
	dimmable DP (phase), DV (0-10V), DD (dali), DS (step-dim)		luminaire part to be colored (F5)		protection class I, protection insulation
	included or excluded LED driver/transformer/control gear		color of 3-circuit adaptor		protection class II, protection insulation
	separately switchable		indirect diffuser		ETL Certified to UL and CSA Standards
	sensor		direct diffuser		UL Certified to UL and CSA Standards
	remote control		ball-proof (upon request)		CSA Certified to UL and CSA Standards
	available upon request		accessory		Certified for North American Standards

### IP RATING

	protected against ingress of solid bodies greater than 12.5mm (finger)
	protected against ingress of solid bodies greater than 2.5mm protected against sprays of water up to 60 degrees from the vertical (rain)
	protected against ingress of solid bodies greater than 1mm (wire) no protection against the ingress of moisture
	protected against ingress of solid bodies greater than 1mm (wire) protected against sprays of water up to 60 degrees from the vertical (rain)
	protected against ingress of solid bodies greater than 1mm (wire) protected against water splashed from all directions
	protected against limited ingress of dust (wet rooms/covered outdoor areas) protected against water splashed from all directions
	protected against ingress of dust protected against jets of water
	protected against ingress of dust protected against powerful jets of water or heavy seas
	protected against ingress of dust protected against immersion of water between 15cm - 1m for 30 minutes
	protected against ingress of dust protected against immersion of water under pressure for long periods

### IK RATING

	protected against 0.14 joules impact (equivalent to 0.25kg mass dropped from 56mm above the surface)
	protected against 0.2 joules impact (equivalent to 0.25kg mass dropped from 80mm above the surface)
	protected against 0.35 joules impact (equivalent to 0.25kg mass dropped from 140mm above the surface)
	protected against 0.5 joules impact (equivalent to 0.25kg mass dropped from 200mm above the surface)
	protected against 0.7 joules impact (equivalent to 0.25kg mass dropped from 280mm above the surface)
	protected against 1 joules impact (equivalent to 0.25kg mass dropped from 400mm above the surface)
	protected against 2 joules impact (equivalent to 0.5kg mass dropped from 400mm above the surface)
	protected against 5 joules impact (equivalent to 1.7kg mass dropped from 300mm above the surface)
	protected against 10 joules impact (equivalent to 5.0kg mass dropped from 200mm above the surface)
	protected against 20 joules impact (equivalent to 5.0kg mass dropped from 400mm above the surface)